

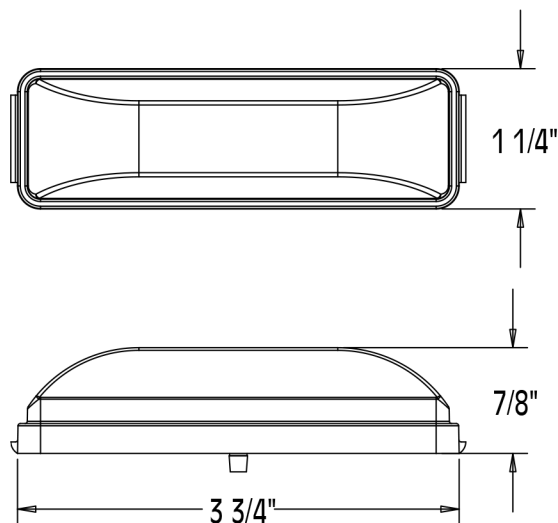


LED Lighting



PRODUCT INFORMATION

DIMENSIONS



SPECIFICATIONS

Model: 1A-V-1240R, 1A-V-1240RI

- Light source: 12 light emitting diodes
- Designed at: 14VDC, 0.092 Amp
- Polycarbonate lens
- ABS housing

Model: 1A-V-1240A, 1A-V-1240AI

- Light source: 12 light emitting diodes
- Designed at: 14VDC, 0.090 Amp
- Polycarbonate lens
- ABS housing

OTHER OPTIONS

Model: 1A-V-1240AR

Red and amber lens, 4 light emitting diodes, Auxiliary only.

PRODUCT RECOMMENDATION

To reduce the risk of fire, burns, or injury, use lights only in the manner intended by Kaper II. Should you have questions regarding your installation, please contact Kaper II before applying power.

LED Exterior

Thank you for your interest in Kaper II's 12 diode clearance / marker lamp.

Kaper II, Inc.
2212 1/2 Parrott Way
Kelso, WA 98626 USA

tel: 800-336-2011
fax: 360-423-0785
www.kaperii.com

RATED

P2 PC 03

FEATURES

- 3.75" x 1.25".
- Standard 2-pole plug.
- Compact size and fashionable assembly.
- Many mounting base options available.