



# NEW!! LED

Sidemarkers/Clearance Lamp



## PRODUCT FEATURES

- 10 Diode
- Surface Mount
- Snap-on Chrome Bezel
- Two Wire
- Dimensions - 6" x 1.75" (152.4mm x 44.45mm)
- Vertical & Horizontal Orientation
- Interior Chrome Backing

## SPECIFICATIONS

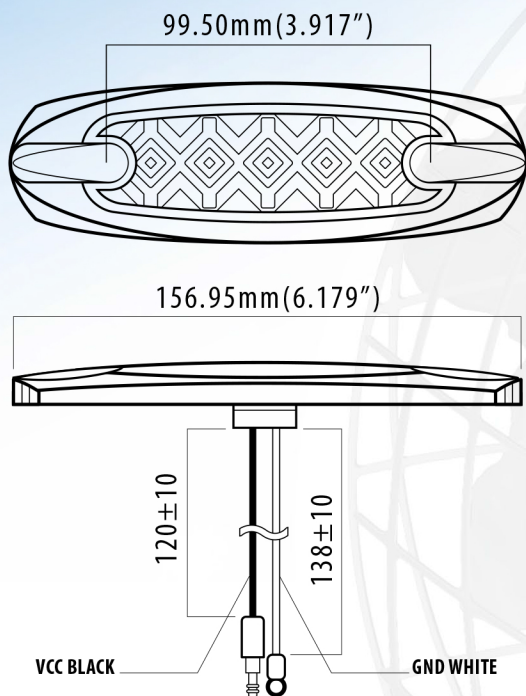
- 14 Volt
- 140 Milliamps
- 1.96 Watts

## AMBER & RED BOTH PASS:

P2 (FMVSS 108 Table X/XI)

P3 (SAEJ2042)

Within Color Range (SAEJ578C)



Kaper II, Inc.  
1-800-336-2011  
[www.kaperii.com](http://www.kaperii.com)