

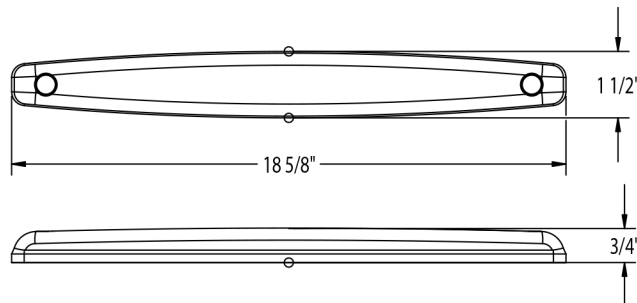


LED Lighting



PRODUCT INFORMATION

DIMENSIONS



SPECIFICATIONS

Model: L03-0065

- Light source: 20 light emitting diodes
- Designed at: 12.8VDC, 0.210 Amp
- PC lens
- PC housing

Model: L03-0065RI

- Light source: 20 red light emitting diodes
- Designed at: 12.8VDC, 0.210 Amp
- PC lens
- PC housing

EXTRAS



Model: L12-0072

Chrome plastic snap-on bezel.

LED Exterior

Thank you for your interest in Kaper II's 20 diode stop / turn / tail lamp.

Kaper II, Inc. tel: 800-336-2011
 2212 1/2 Parrott Way fax: 360-423-0785
 Kelso, WA 98626 USA www.kaperii.com

RATED

STI S2 T2 16

FEATURES

- 18" x 1.5".
- For applications 80" and over.
- 2 bare wire lead.
- Surface mount.
- Beauty cover included.
- Available with chrome plastic snap-on bezel.

PRODUCT RECOMMENDATION

To reduce the risk of fire, burns, or injury, use lights only in the manner intended by Kaper II. Should you have questions regarding your installation, please contact Kaper II before applying power.